

SPECIFICATION FOR APPROVAL

CUSTOMER'S APPROVAL CHOP

Approval's condition: _____

Approved date: _____

KINDLY RETURN A SET WITH YOUR COMPANY'S OFFICIAL STAMP ON APPROVAL OF THIS ITEM

CUSTOMER'S NAME: _____

CUSTOMER'S MODEL NO. : _____

CUSTOMER'S PART NO. : _____

DESCRIPTION:

EP13A

Semitel'S MODEL NO. :

EP13A-1102

VERSION:

A

DATE:

2026/2/3

Attachments:

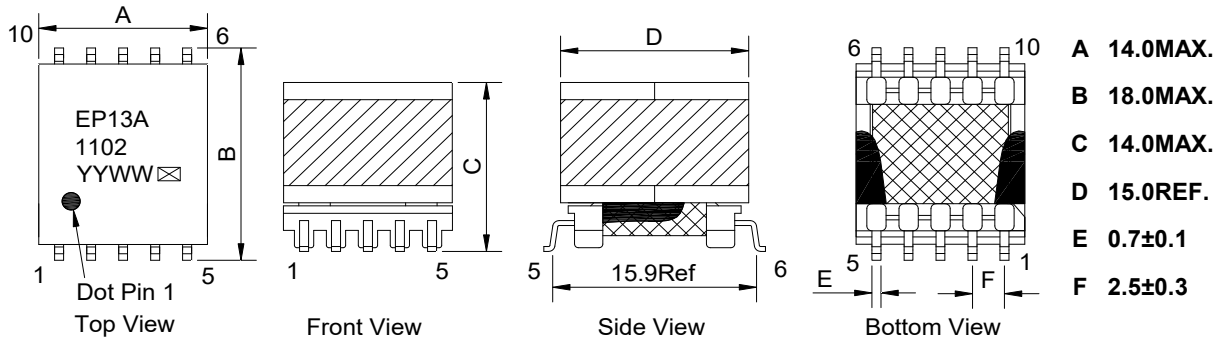
- Product Specification
- Sample Qty. :
- Test Data

Prepared By	Checked By	Approved By
Hebe Deng 2026/2/3	Ben Lin 2026/2/3	Eric Chang 2026/2/3

Semitel International Ltd.,	TEL: 886-2-86922121 FAX: 886-2-26483379
www.semitelint.com	11F., No. 43-5, Zhongxing Rd., Xizhi Dist., New Taipei City 221012, Taiwan

Product Specification

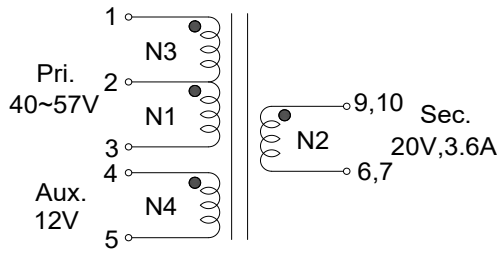
1. Physical Dimensions (Unit:mm)



Notes:

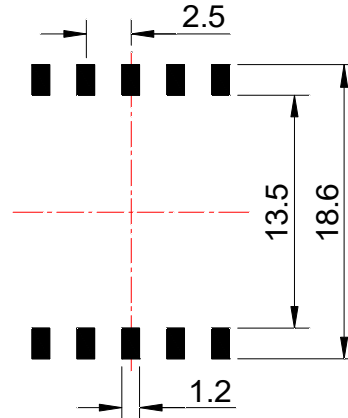
- (1). Marking type is laser printing
- (2). YY: Year Code; WW: Week Code
- (3). ☒ :When making samples, S is used to represent the product is a sample
- (4). ☒ :Use different letters or numbers to represent the products are produced from different production lines
- (5). Size B does not include solder tips
- (6). Coplanarity requirement: Less than 0.15mm
- (7). Add epoxy to the center column of the cores

2. Connection



"●" Start of winding
 *Customer to tie terminals 6&7 and 9&10 on PC board.
 *Application of the transformer allows for the leadwires between terminals 6&7 and 9&10 to solder bridge.

3. Recommended Pad Layout (Unit:mm)



Semitel'S MODEL NO. :	EP13A-1102	CUSTOMER'S MODEL NO. :	
VERSION:	A	CUSTOMER'S PART NO. :	
DATE:	2026/2/3		

Product Specification

6. Electrical Characteristics

*Operating temperature range: -40°C to +125°C

*Storage temperature component: -40°C to +125°C

Tape and reel packaging: -40°C to +80°C

Items	Winding	Specifications	Test Conditions
Inductance	L(1-3)	100uH±15%	at 100kHz,0.1V
LK-Inductance	LK(1-3) Tie others	0.5uH MAX.	at 100kHz,0.1V
DCR	R(1-3)	83mΩ MAX.	at 25°C
	R(4-5)	100mΩ MAX.	
	R(9,10-6,7)	31mΩ MAX.	
Turns Ratio	(1-3):(4-5):(9,10-6,7)	16:8:14;±3%	at 100kHz,0.1V
Hi-Pot	Pri. To Sec.	1500VAC	3mA.2S
	Win. To Core	500VAC	3mA.2S

7. Bill of Material

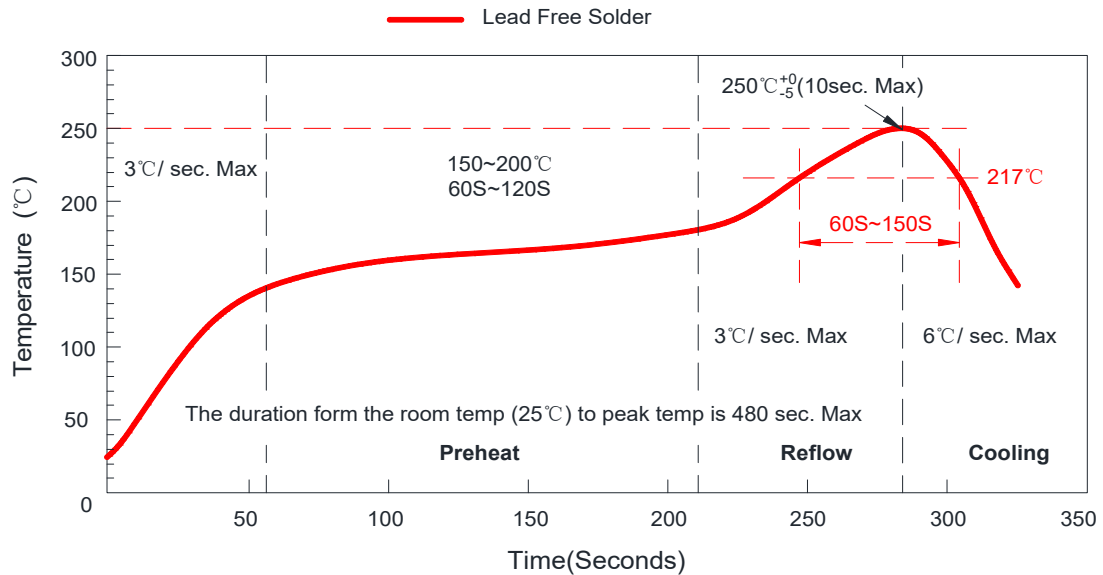
No	Items	Material Name	Manufacturer	UL File No	SGS File No
1	Core	Soft ferrite cores HM95	HAN MAGNETIC or Equivalent	NIL	CANEC25019352101
OR	Core	Soft ferrite cores SSP-95	SUNSHINE or Equivalent	NIL	CANEC25003229004
2	Bobbin	PM-9630	SUMITOMO or Equivalent	E41429	SHAEC25032376101
3	Copper Wire	Polyurethane bare wire (Cu) Polysol 180	ELEKTRISOLA or Equivalent	E258243	ETR25206224
OR	Copper Wire	Polyurethane wire xUEW/180	ZHENGYI or Equivalent	E316891	CANEC25003034111
4	Polyimide Tape	Polyimide Adhesive Tape PF*(d)(g)	YAHUA or Equivalent	E165111	CANEC25022351801
5	Epoxy	H907-HF	HUA CHUANG or Equivalent	E304477	A2250526157101003
6	Solder	Lead free solder	BAIMU or Equivalent	NIL	SZXEC25001772201

Semitel'S MODEL NO. :	EP13A-1102	CUSTOMER'S MODEL NO. :	
VERSION:	A	CUSTOMER'S PART NO. :	
DATE:	2026/2/3		

Product Specification

8.Recommended Temperature Conditions of Air Reflow Soldering

Test Solderability Temperature Profile



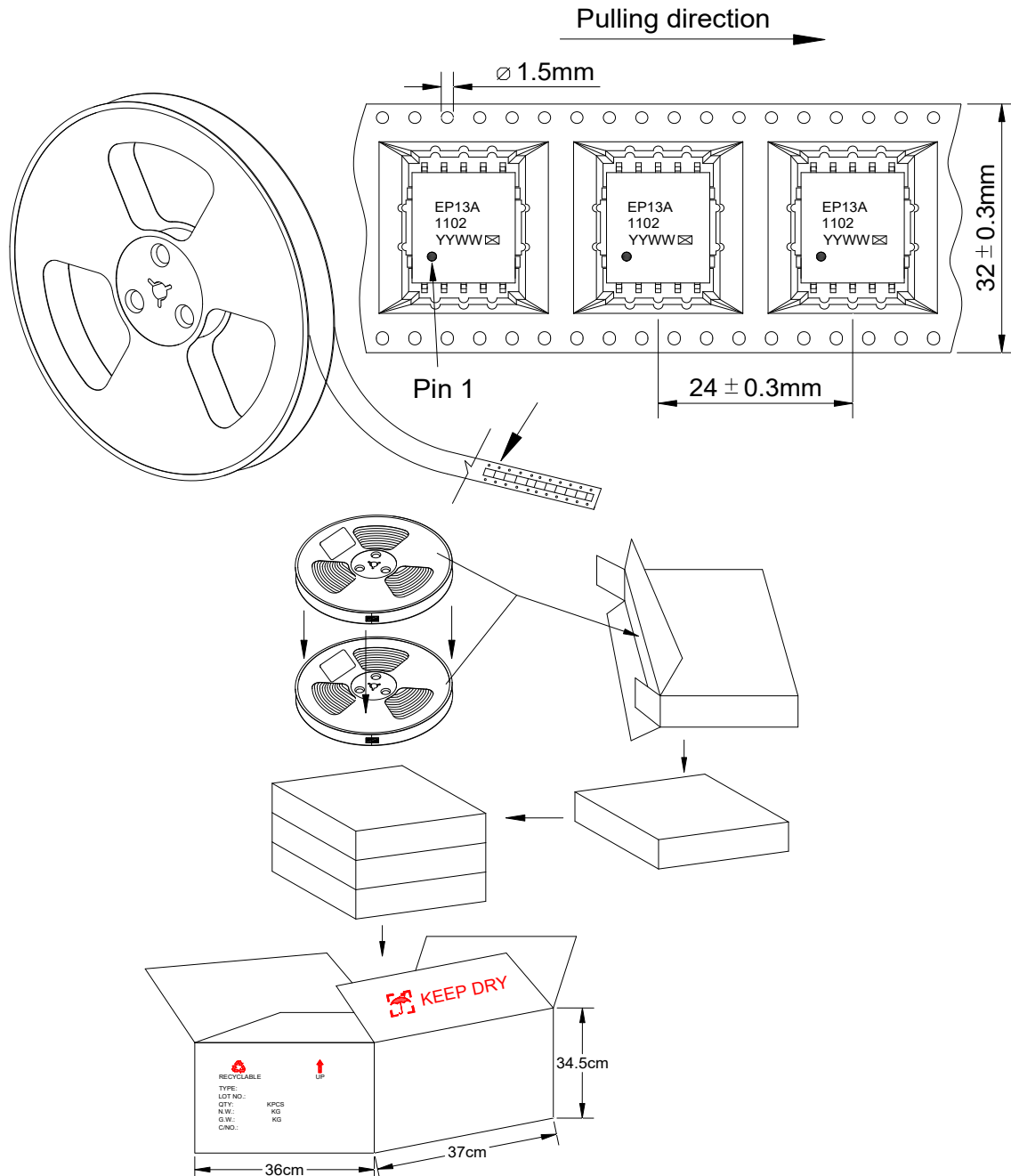
Profile Feature	Pb-Free Assembly
Average Ramp-Up Rate (T _{smax} to T _p)	3°C/Second Max.
Preheat	
-Temperature Min. (T _{smin})	150°C
-Temperature Max. (T _{smax})	200°C
-Time (T _{smin} to T _{smax})	60-120 Seconds
Time maintained above:	
-Temperature (T _L)	217°C
-Time (T _L)	60-150 Seconds
Peak/Classification Temperature (T _p)	250°C
Time within 5°C of actual PeakTemperature (T _p)	10 Seconds Max.
Ramp-Down Rate	6°C/Second Max.
Time 25°C to Peak Temperature	8 Minutes Max.

Semitel'S MODEL NO. :	EP13A-1102	CUSTOMER'S MODEL NO. :	
VERSION:	A	CUSTOMER'S PART NO. :	
DATE:	2026/2/3		

Product Specification

9.Packing Request

- *Every roll of the carrier tape can contain 160pcs products.
- *Every small packing box contain 2 rolls of carrier tape. Total quantity: 320pcs.
- *Every carton box contain 3 small packing boxes. Total quantity: 960pcs.



Semitel'S MODEL NO. :	EP13A-1102	CUSTOMER'S MODEL NO. :	
VERSION:	A	CUSTOMER'S PART NO. :	
DATE:	2026/2/3		

Test Report

Test Instruments								
	HP4284A	HP4284A	VR131			HP4284A	CS2670A	
	Inductance	LK-Inductance	DCR			Turns Ratio	Hi-Pot	
	at 100kHz,0.1V	at 100kHz,0.1V	at 25°C			at 100kHz,0.1V	3mA.2S	
No	L(1-3)	LK(1-3) Tie others	R(1-3)	R(4-5)	R(9,10-6,7)	(1-3):(4-5):(9,10-6,7)	Pri. To Sec.	Win. To Core
	100uH±15%	0.5uH MAX.	83mΩ MAX.	100mΩ MAX.	31mΩ MAX.	16:8:14;±3%	1500VAC	500VAC
1								
2								
3								
4								
5								
MIN.	0.00	0.00	0.00	0.00	0.00			
MAX.	0.00	0.00	0.00	0.00	0.00			
AVG.	#DIV/0!	#DIV/0!	#DIV/0!	#DIV/0!	#DIV/0!			
Result	Passed	Passed	Passed	Passed	Passed	Passed	Passed	Passed
Overall Dimensions Test						Measurement Tools: Caliper (Unit:mm)		
No	A	B	C	D	E	F		
	14.0MAX.	18.0MAX.	14.0MAX.	15.0REF.	0.7±0.1	2.5±0.3		
1								
2								
3								
4								
5								
MIN.	0.00	0.00	0.00	0.00	0.00	0.00		
MAX.	0.00	0.00	0.00	0.00	0.00	0.00		
AVG.	#DIV/0!	#DIV/0!	#DIV/0!	#DIV/0!	#DIV/0!	#DIV/0!		
Result	Passed	Passed	Passed	Passed	Passed	Passed		
Semitel'S MODEL NO. :			EP13A-1102		CUSTOMER'S MODEL NO. :			
VERSION:			A		CUSTOMER'S PART NO. :			
DATE:			2026/2/3					